



COLOR-SKOPAR 35mm F3.5 Aspherical VM

INSTRUCTION MANUAL

Voigtländer VM-mount lenses cover the full frame format and are manually controlled lenses. The user sets the focus and aperture. They are designed to be used on both rangefinder film cameras and digital cameras with M-type lens mount. They can also be used on mirrorless cameras with appropriate adapters.

Features of Voigtländer VM-mount lens

- VM-mount
- Full frame format
- Manual focus for precise focusing
- All metal construction

Tips for lens care and safety

These tips are to protect the user from injury or damaging the lens.



WARNING

If the user ignores this warning sign and uses the equipment the wrong way serious injuries and even death might be the result.



CAUTION

If the user ignores this caution sign it might result in injury and/or damage the equipment.



WARNING

Never look directly at the sun with a telephoto lens as this can damage your eyes.



CAUTION

Keep the lens, camera and accessories out of reach of children.



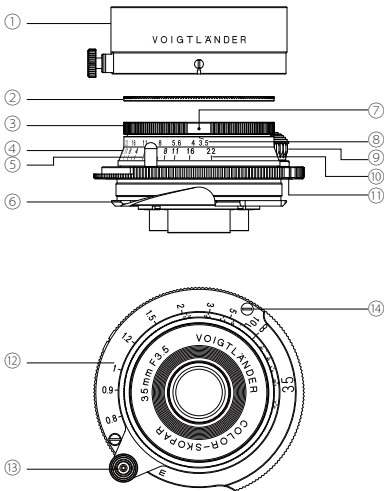
CAUTION

Store the lens away from direct sunlight and always store the lens with lens-cap on. Failure to do so can create a fire hazard.

Never touch the lens surface. In case it is dirty or dusty use commercial lens cleaner or appropriate lens cleaning cloth.

Description of Parts

- ① Lens Hood
- ② Filter
- ③ Aperture Ring
- ④ Focus Ring
- ⑤ Distance Index
- ⑥ Mount
- ⑦ Aperture Index
- ⑧ Aperture Scale
- ⑨ Focus Lever
- ⑩ Depth of Field Scale
- ⑪ Mount Index Mark
- ⑫ Distance Scale
- ⑬ Focus Lock Button
- ⑭ Focus Stop



● How to attach/detach the lens

Please refer to the instruction manual for your camera for how to attach/detach the lens. When attaching and detaching, use the focus lever ⑨, This is fixed at the infinity position, and focus stop ⑭ to rotate the lens. Holding and rotating other parts may cause a functional failure.

● Attaching Lens Hood

Align the lens Aperture index ⑦ with the line on the lens hood, place lens hood over the aperture ring and tighten the knob on the lens hood to fix the lens hood in place. The aperture can be operated by rotating the lens hood.

● About Focusing

The focus is locked at the infinite (∞) position. Press the focus lock button ③ to release the focus lock, and then use the focus lever ⑨ to focus.

● Rangefinder coupling

Coupled focusing range of this lens is $\infty \sim 0.7\text{m}$. However, rangefinder coupling range may be different depending on the rangefinder mechanism of the camera being used.

● Attaching Supplied Protective Clear Filter

Screw the filter (Ø34mm) to the front of the lens. Note that if filters other than those supplied with the product are fitted, the lens hood supplied with the product will not fit.

● Note on Black Painted Models

Mounts with black paint finish are not compatible with a 6-bit coding system. The lens will not be recognized when used with cameras equipped with 6-bit coding. Please set the lens detection setting to OFF. If the shutter cannot be released and live view is not possible, turn off the camera's dust protection mode.

● Attaching Mount Adapter

This lens can be used with below mentioned Voigtländer accessories.

VM-E Mount Adapter I / II

VM-E Close Focus Adapter I / II

VM-X Close Focus Adapter I / II

VM-Z Close Focus Adapter

● Specifications

Product Name	COLOR-SKOPAR 35mm F3.5 Aspherical
Focal Length	35mm
Maximum Aperture	F3.5
Minimum Aperture	F22
Lens Construction	4 groups 6 elements
Angle of View	61.6°
Aperture Blades	10
Rangefinder Coupling	∞ ~ 0.7m
Minimum Focus	0.7m
Filter	Ø34mm
Maximum Diameter	Approx. Ø52.0mm
Length	Approx. 14.0mm
Weight	Approx. 99g
Mount	VM-mount
Supplied Accessories	Front Cap, Lens Hood, Hood Cap, Rear Cap, Protect Filter

* Specification and information is subject to change without notice.